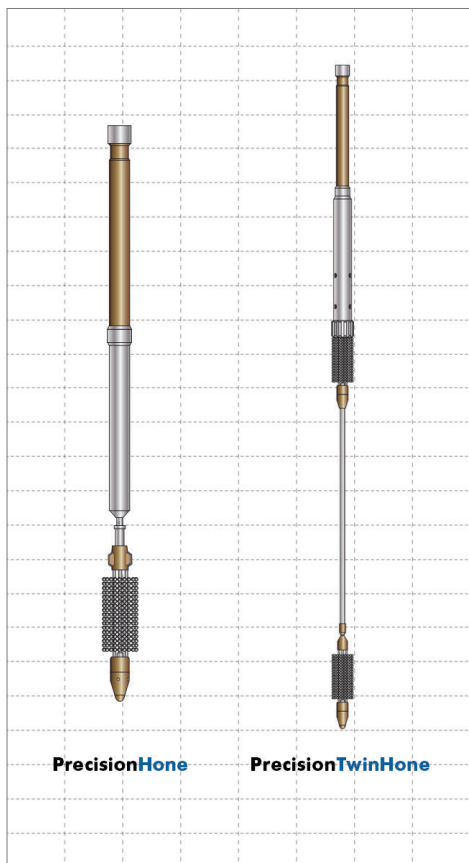


PRECISION MECHANICAL APPLICATIONS

# PRECISIONHONE

MAKING INTERVENTION  
**SMARTER**

The **PrecisionHone** and the **PrecisionTwinHone** are used to hone seal bores by removing deposits (scale, rust) and minor protruding obstructions that affect the sealing integrity of completion components, e.g. downhole safety valve. They are run in combination with **PowerTrac**<sup>®</sup> for anchoring and conveyance, coupled with a hydraulic rotation adapter to generate the required rotational force.



## APPLICATIONS

- Honing seal bore areas
- Preventive maintenance in scale environments
- Removal of scale, rust

## FEATURES

- E-Line conveyed, powered device
- Combines axial and rotational motion for smooth honing
- Customisable hone OD
- Slip over no-go adapter can be used for precise positioning
- No-go profile and spacing is customisable

## BENEFITS

- Cost effective preventive maintenance or repair option for re-establishing seal bore integrity instead of pulling the completion components
- Light on logistics, footprint, personnel and time

SERVICE NAME	PRECISIONHONE	PRECISIONTWINHONE
Tool body outer diameter <sup>1</sup>	3.346 inches / 85.0mm	
Hone Body OD	2.362 inches / 60.0 mm	
Hone diameter	Customisable	
Length <sup>2</sup>	6.6 ft. / 2.0m	9.8 ft. / 3.0m
Stroke length	19.7 inches / 500 mm	
Minimum ID	2.487 inches / 63.2 mm	
Maximum ID	10.20 inches / 259.1 mm	
System pressure rating	15,000 psi / 1,034 bar	
System temperature rating	75 °C / 167 °F	
Operational RPM	≤ 150 rpm	

<sup>1</sup>Tool OD only (not Hone OD).

<sup>2</sup>Length includes Hydraulic Rotation Adapter and standard hone brushes but is also customisable depending on required configuration. Does not include length of **PowerTrac**<sup>®</sup> and accessories.